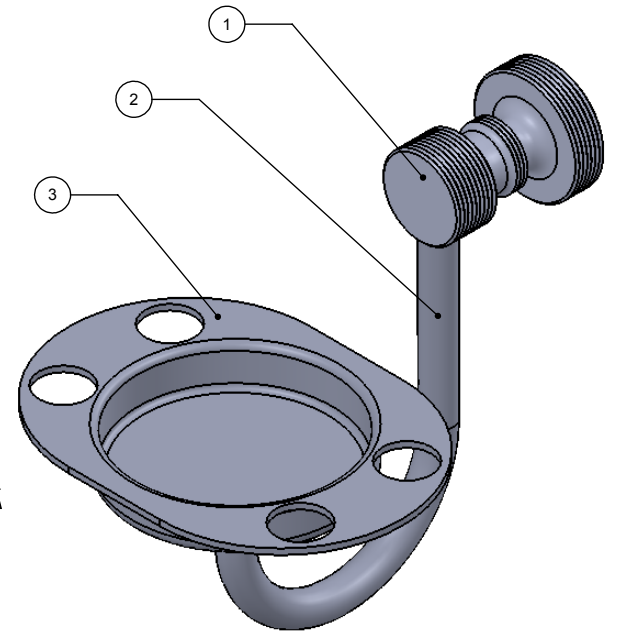
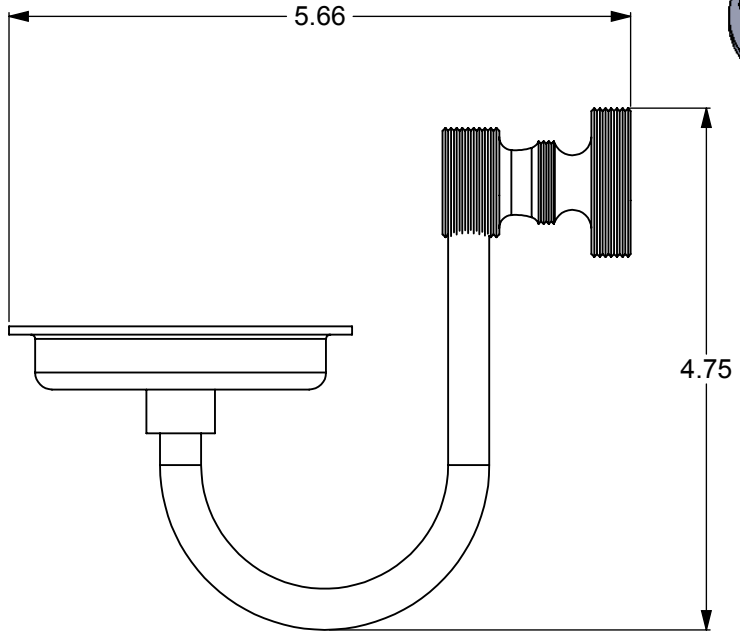
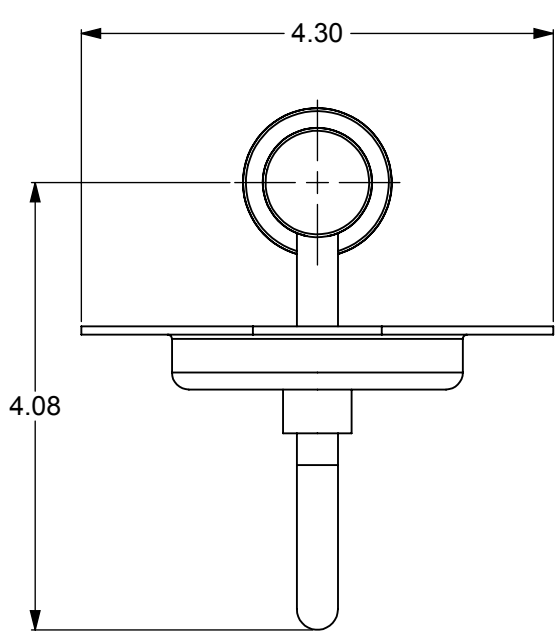


ITEM NO.	P/N	DESCRIPTION	QTY.
1	PSFTR	BASE	1
2	HKVT	U-PIPE	1
3	HROVT	PLATE	1

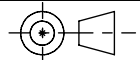


NOTES:
1. UNIT IS IN INCHES

UNLESS OTHERWISE STATED

.X	±.3mm
.XX	±.15mm
.XXX	±.008mm

COPYRIGHT © Allied Brass 2016



THIRD ANGLE PROJECTION

DRAWN	2-5-2016	I.M
CHECKED	2-5-2016	P.D
APPROVED	2-5-2016	R.A

MATERIAL:	BRASS
DESCRIPTION:	SOAP DISH

FINISH	TBD
QUANTITY	TBD
DRAWING No.	REV
FT-26	0
SCALE	1:1.75
SHEET: 01	A4